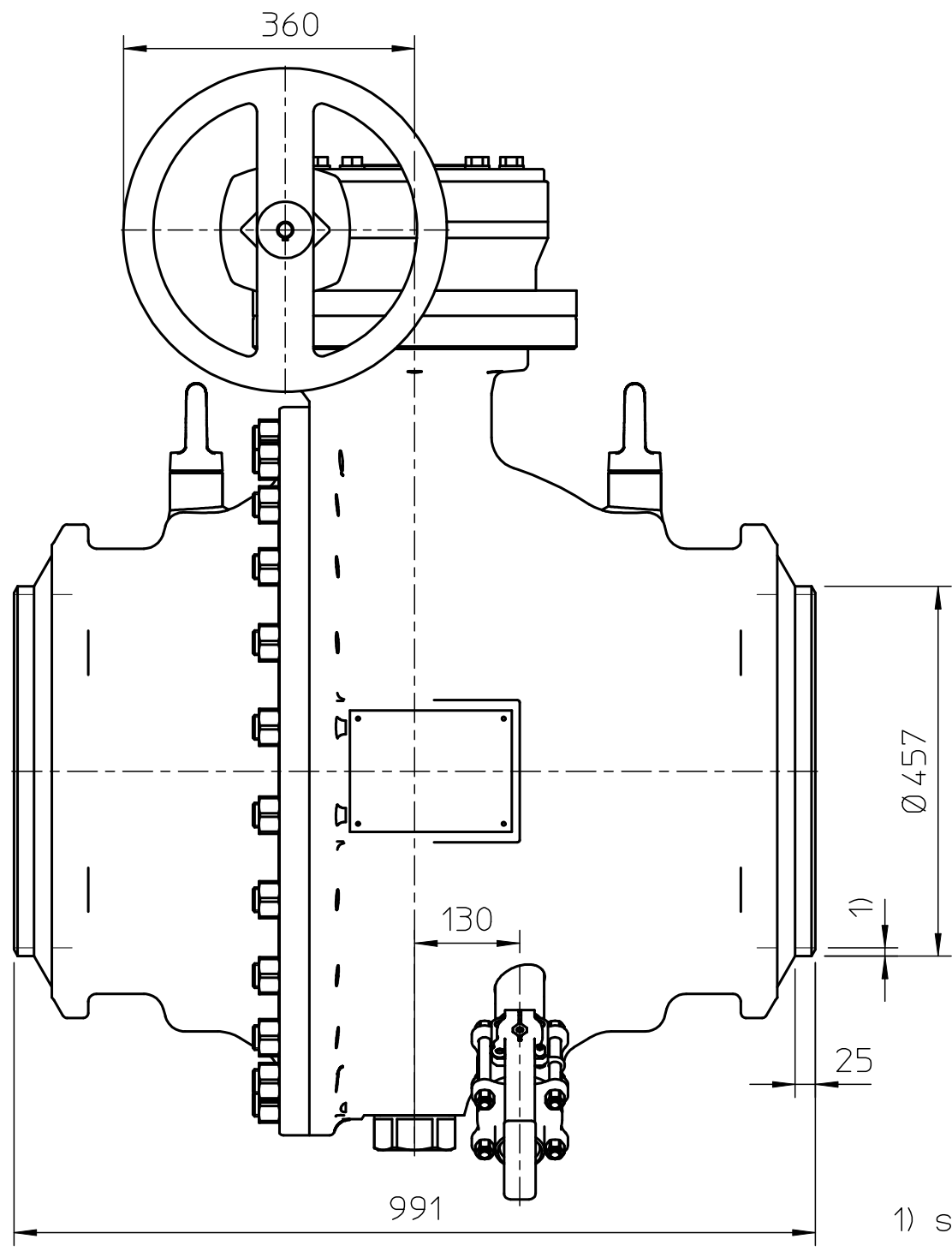
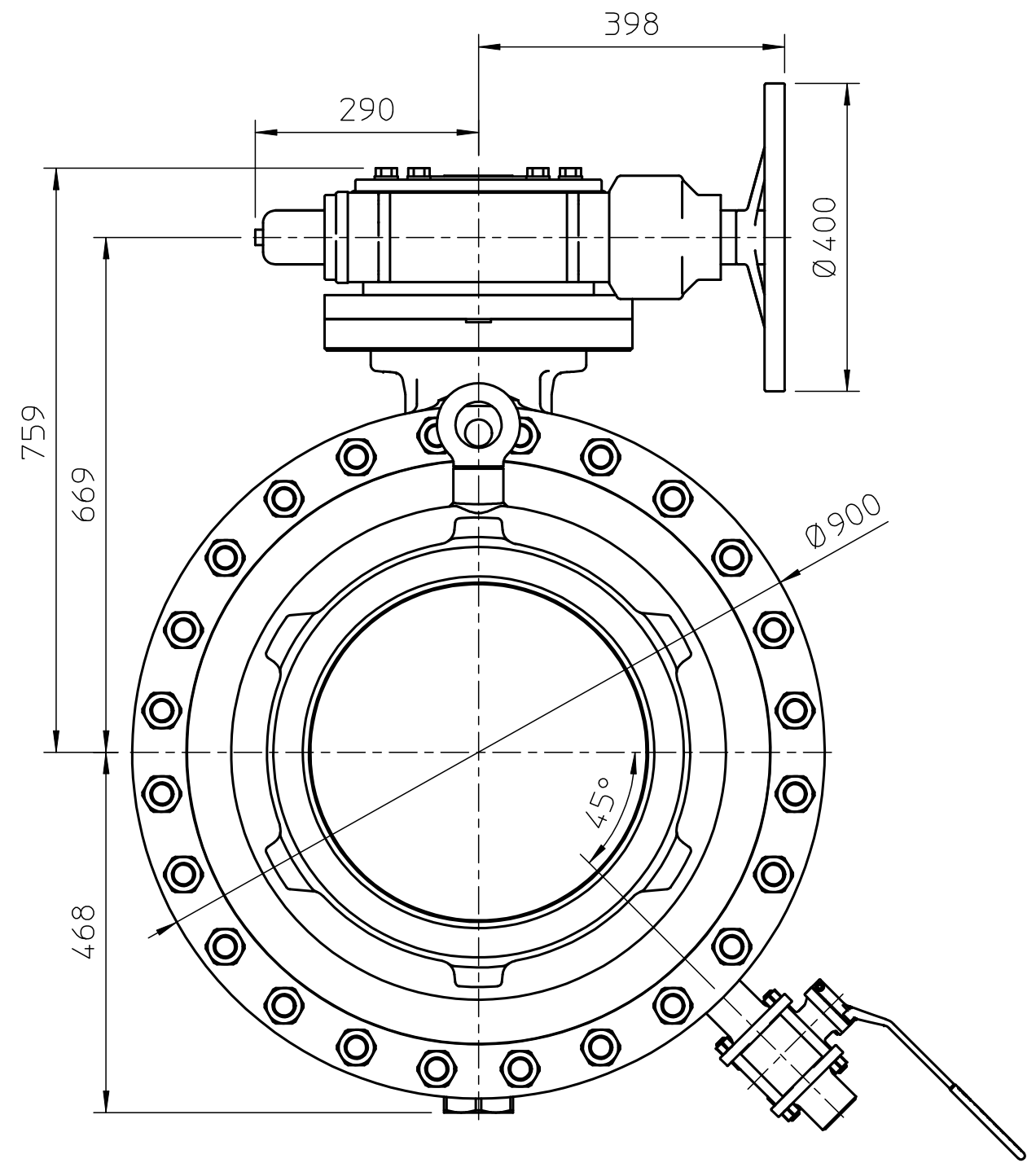


KLINGER ballostar ball valve type KHSV(W) 450/500 VII-AF(799)-KFC PN25, with worm gear type AUMA GS160.3/GZ160.3-4/H.



1) spec. by purchaser



drain cock DN50

total weight: ca. 1270kg

drw.: 21.10.10 SA  
wOH31780-7